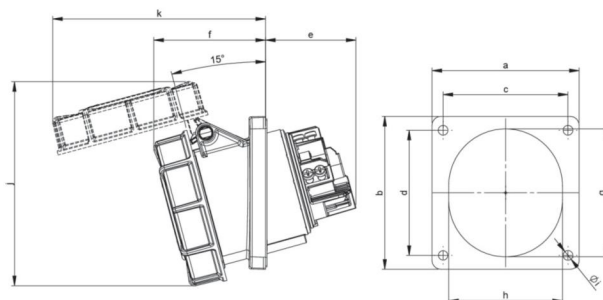


article#	<b>434-7-11</b>
article description	<b>CEE-flanged socket sloping (106x110) 63A 3p 11h IP67 POWER TWIST</b>
description long	CEE-flanged socket sloping (106x110) 63A 3p 9h IP67 POWER TWIST housing material: PA6 rated current: 63A number of poles: 3 (2P+PE) clock-position: 11h rated voltage/frequency: 380-415V~ / 50+60Hz contacts: brass, with lamellar spring (CuBe) connection technology: frame terminals with screws dimensions (flange/fixing center): 106x110 mm / 90x90 mm IP protection class: IP66/IP67
country of origin	AT
customs number	85366990
packaging quantity	2
minimum order quantity	2

ETIM 9.0	EC001317
IEC-amperage	63 A
Voltage according to EN 60309-2	400 V (50+60 Hz) red
Number of poles	3
Clock hour position	11 h
Identification colour	Red
Degree of protection (IP)	IP67
Connection system	Screwed terminal
Angle of plug	Angled
Material	Plastic
Contact material	CuZn
Surface treatment contacts	Untreated
Flange size vertical	110 mm
Drill hole distance vertical	90 mm
Flange size horizontal	106 mm
Drill hole distance horizontal	90 mm

a	106 mm
b	110 mm
c	90 mm
d	90 mm
e	64 mm
f	80 mm
g	92 mm
h	82 mm
i	7 mm
j	148 mm
k	154 mm
wire flexible	6-16 mm <sup>2</sup>
wire solid	6-25 mm <sup>2</sup>
contact screws	200 Ncm
dismantling length	100 mm
stripping length	15-18 mm
ambient temperature	-25 – 40 °C
temperature resistance	-25 – 80 °C







<https://www.pcelectric.at/shop/en/?func=detail&artnr=433-9fd>