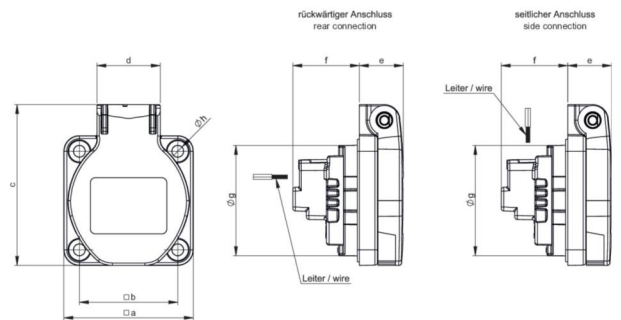


article#	105-0gs
article description	Socket outlet with protective contact 50x50 nat IP54 side (grey)
description long	Socket outlet with protective earth contact series S-NOVA housing material: PA6, color: grey flange size: 50x50 mm connection technology: screw terminal, side entry system: Austrian/German earthing system contacts: nickel plated 250V / 16A / 2P+E , protection rating: IP54
GTIN (EAN)	9003399106996
country of origin	AT
customs number	85366990
net weight	0.045 kg
packaging quantity	100
minimum order quantity	200

ETIM 9.0	EC001325
Model	Socket outlet CEE 7/3 (type F)
Material	Plastic
Material quality	Thermoplastic
Halogen free	True
Flange size	50x50 mm
With hinged lid	True
For heavy conditions according to VDE	True
Degree of protection (IP)	IP54
Insert direction	Straight
Connection system	Screwed terminal
Colour	Grey
RAL-number	7035
Number of poles	3
Nominal current	16 A
Nominal voltage	250 V

a	50 mm
b	38 mm
c	62 mm
d	25 mm
e	17 mm
f	26 mm
g	43 mm
h	4,5 mm
wire flexible	1,5-2x2,5 mm ²
wire solid	1,5-2x2,5 mm ²
contact screws	80 Ncm
stripping length	8-10 mm
ambient temperature	-25 – 40 °C



<https://www.pcelectric.at/shop/en/?func=detail&artnr=105-0gs>