

S125D Series

Various built-in sound tones of Warning sounds, Alarms and Melodies



S125DLR



S125DL / S125DS



S125D

※ Please refer to [Sound tone and combination for standard product] on this catalogue for detailed sound tone specification.

PRODUCT SPECIFICATION

S125DLR | S125DL
S125DS | S125D

Materials Lens-AS, Housing-ABS, Reflector-Heat resistant ABS

Protection rating IP54

Compliant with RoHS directive S125DLR / S125DL

- Ø125mm signal/warning light and electric horn combinations provides both audible and visual signaling capability in one unit
- Can select the proper signaling from a variety of light source and sound tone

S125DLR LED Revolving Light & Electric Horn

Model number	Voltage	Current	Sound pattern and volume	Certificates	Weight	Color
S125DLR	DC12V	670mA	·WS-5 Warning sounds : Max.105dB	CE	0.92kg	● R-Red ● A-Amber ● G-Green ● B-Blue
	DC24V	410mA	·WM-5 Melodies: Max.105dB		0.92kg	
	AC110V	145mA	·WA-5 Alarms: Max.103dB		1.29kg	
	AC220V	75mA	·WV-5 Customizable sounds : 91-100dB		1.29kg	

- Revolving speed: 120-140RPM
- Ambient operating temperature: -20°C to +50°C
- ※ CE compliant: DC24V, AC110V, AC220V

S125DL LED Steady/Flashing Light & Electric Horn

Model number	Voltage	Current	Sound pattern and volume	Certificates	Weight	Color
S125DL	DC12V	Max.	·WS-5 Warning sounds : Max.105dB ·WM-5 Melodies: Max.105dB ·WA-5 Alarms: Max.103dB ·WV-5 Customizable sounds : 91-100dB	CE	0.76kg	● R-Red ● A-Amber ● G-Green ● B-Blue
	-24V	520mA			1.16kg	
	AC110V	135mA			1.16kg	
	AC220V	70mA			1.16kg	

- Flashing rate: 60-80/min (Built-in switch for selection between steady and flashing mode)
- Ambient operating temperature: -30°C to +50°C
- ※ CE compliant: DC24V, AC110V, AC220V

S125DS Xenon Lamp Strobe Light & Electric Horn

Model number	Voltage	Current	Sound pattern and volume	Certificates	Weight	Color
S125DS	DC12V	Max.	·WS-5 Warning sounds : Max.105dB ·WM-5 Melodies: Max.105dB ·WA-5 Alarms: Max.103dB ·WV-5 Customizable sounds : 91-100dB	CE	0.76kg	● R-Red ● A-Amber ● G-Green ● B-Blue
	-24V	1.4A			1.21kg	
	AC110V	230mA			1.21kg	
	AC220V	155mA			1.21kg	

- Flashing rate: 60-80 flashes/min
- Ambient operating temperature: -30°C to +50°C
- ※ CE compliant: DC24V, AC110V, AC220V



S125D Bulb Revolving Light & Electric Horn

Model number	Voltage	Current	Bulb			Sound pattern and volume	Certificates	Weight	Color
			Spec	Standard	Parts no				
S125D	DC12V	1.2A	12V10W	T16x35 15S	9	-WS-5 Warning sounds: Max.105dB -WM-5 Melodies: Max.105dB -WA-5 Alarms: Max.103dB -WV-5 Customizable sounds: 91-100dB	CE	1.00kg	● R-Red ● A-Amber ● G-Green ● B-Blue
	DC24V	830mA	24V10W	T16x35 15S	10			1.00kg	
	AC110V	190mA	12V10W	T16x35 15S	9			1.41kg	
	AC220V	95mA	12V10W	T16x35 15S	9			1.41kg	

· Revolving speed: 120-140RPM

· Ambient operating temperature: -20°C to +50°C

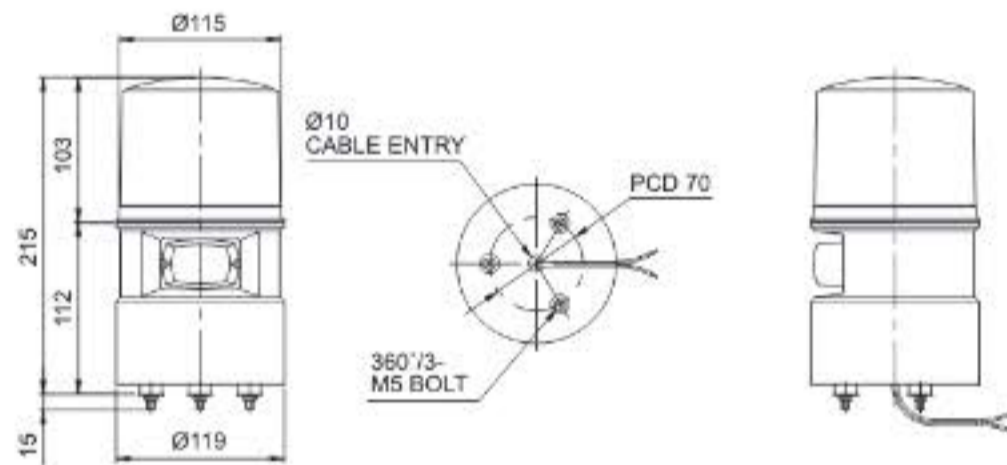
※ CE compliant: DC24V, AC110V, AC220V

※ Max.built-in volume feature is based on WS-Ch3 / WM-Ch4 / WA-Ch1.

※ In case of customized WV 5 tone type, there may be difference of volume depending on user's audio file type.

Technical Diagram -S125DLR / S125DL / S125DS / S125D

Units: mm

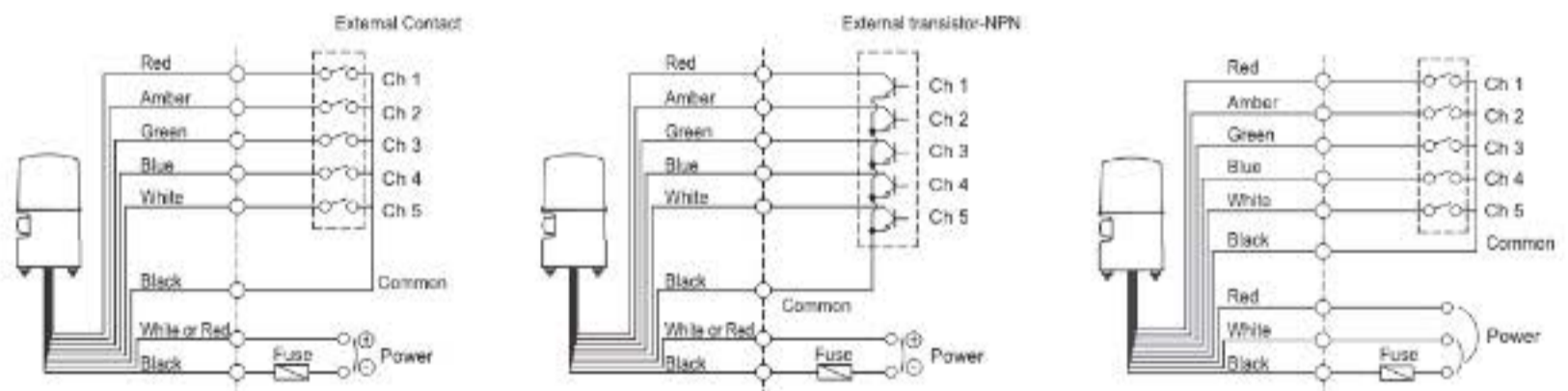


Wiring Instructions

-S125D / S125DL / S125DLR / S125DS-DC/AC

-S125DL-DC/AC

-S125D/S125DLR-AC compatible type



· External Power line - UL1015 AWG18(0.75sq) x 2C 400mm

· External signal line - UL1007 AWG22(0.3sq) x 2C 400mm

· S125D, S125DLR: Black output line is Negative(-)

· AC compatible type shall be connected the black and white wires when using AC110V, and the black and red wires when using AC220V.

Customization

· Optional 8 harmonies(standard unit has a single harmony)

Ordering Specification

S125D	-	WA	-	220	-	R
[Model number]		[Sounds]		[Voltage]		[Color]
S125DLR		WS-Warning		12-DC12V		● R-Red
S125DL		WM-Melody		24-DC24V		● A-Amber
S125DS		WA-Alarm		12/24-DC12V-24V (S125DL, S125DS only)		● G-Green
S125D		WV-Customizable sound		110-AC110V		● B-Blue
				220-AC220V		



Do not apply a voltage to each signal line. It may cause damage to the product

By default the warning light is turned on when the Power is supplied, the voice/alarm output is Powered on by a separate connection.

Please wire properly.