

MSGS Series

D140mm Square Tower Warning Signal Light



- Incandescent type
- Outstanding visibility by magnified lens
- Large rotating reflector
- Selectable 5 signal sounds (100dB)
- Stud or Wall mount with optional bracket (see page B2)



Specifications

Lighting Type	Incandescent, Rotating	
Power Supply	12VDC, 24VDC, 110VAC, 220VAC	
Current Draw & Wattage	12VDC	2.4A, 25W
	24VDC	1.3A, 25W
	110VAC	0.4A, 25W
	220VAC	0.2A, 25W
Rotation Rate	150±10 rpm	
Alarm Sound Level	100±5dB @1m	
Bulb Type	BA 15D	
Vibration	0.75mm at 10~55Hz	
Ambient Temperature	-15~40°C	
Storage Temperature	-25~70°C	
Ambient Humidity	45 ~ 85% RH	
Degree of Protection	IP20	
Recommended Wire Size	VSF / 0.75mm ² (Power supply wire only)	
Certificate/Compliance	RoHS	

Ordering Information

MSGS - 5 01 - RYGBC

① ② ③

① Number of Stacks	1	1 Light
	2	2 Lights
	3	3 Lights
	4	4 Lights
	5	5 Lights
② Power Supply	01	12VDC
	02	24VDC
	10	110VAC
	20	220VAC
③ Lens Colors	R	Red
	Y	Yellow
	G	Green
	B	Blue
	C	Clear

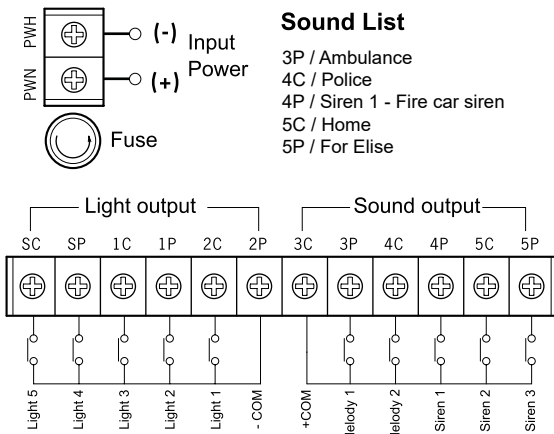
Replacement Parts

Power Supply	12V DC	110V AC	220V AC	24V DC
Bulb	MAB-T15-D-012-25 (12V DC, 25 Watt)		MAB-T15-D-024-25 (24V DC, 25 Watt)	
LED Bulb	MAL-T15-D-②-①			
Lens	LENS-MSGS-①			

①: Color of LED or Lens; R, Y, G, B or C

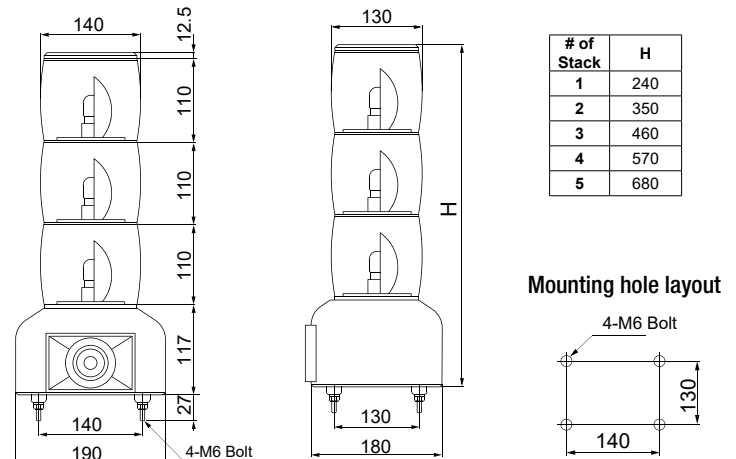
②: Voltage: 12 (12VAC/DC) 24(24VAC/DC) 120(120VAC) 220(220VAC)

Wiring Diagram



Dimensions

unit: mm



Wall Mounting Option



MAM-DS33